



Modular Cooking Range Line 700XP 6-Hot Plates Electric Boiling Top Range

ITEM # _____

MODEL # _____

NAME # _____

SIS # _____

AIA # _____



371019 (E7ECEL6R00)

6-Hot Plate (2,6 kW each)
electric Boiling Top

Short Form Specification

Item No. _____

To be installed on open base installations, bridging supports or cantilever systems. Six 2.6 kW cast-iron hot plates hermetically sealed to the one-piece top. Exterior panels in stainless steel with Scotch Brite finish. One piece pressed work top in 1.5 mm thick stainless steel. Right-angled side edges to allow flush-fitting junction between units.

Main Features

- Unit to be mounted on open base cupboards, bridging supports or cantilever systems.
- The six 2.6kW cast-iron plates are hermetically sealed to the one-piece top.
- The special design of the control knob system guarantees against water infiltration.
- IPx4 water protection.
- Suitable for countertop installation.

Construction

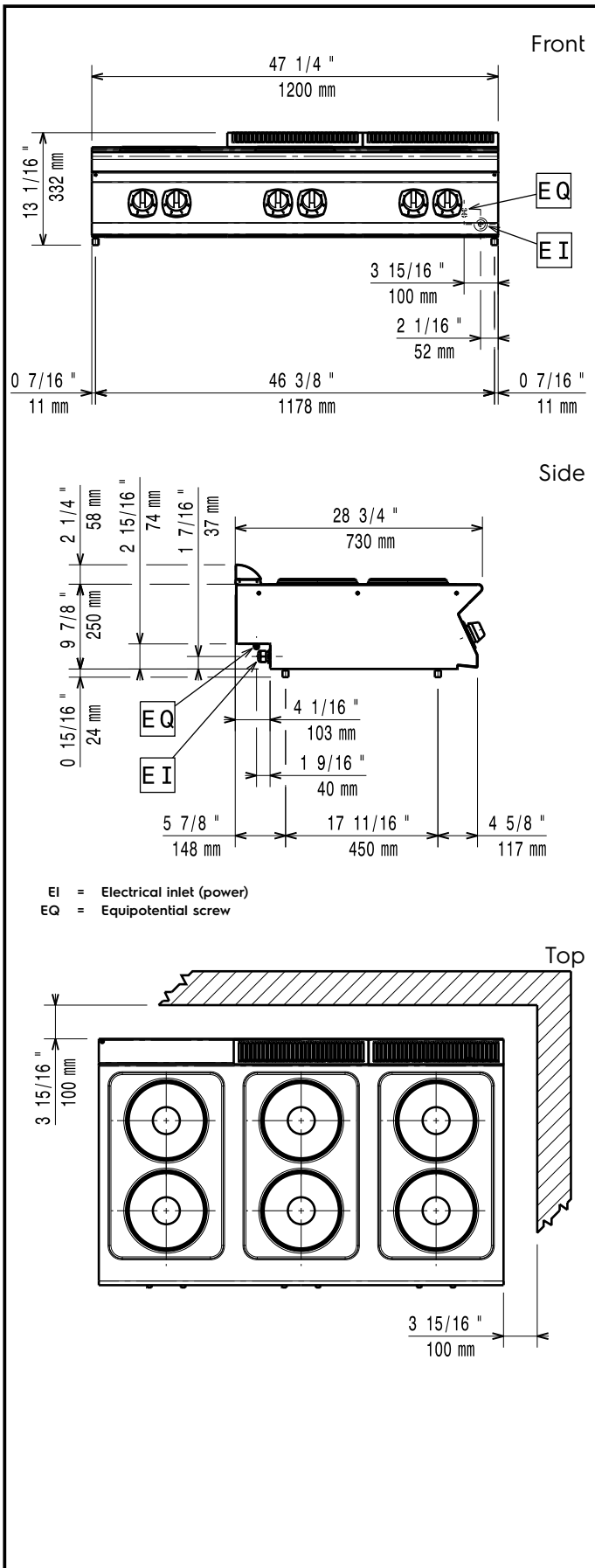
- All exterior panels in Stainless Steel with Scotch Brite finishing.
- One piece pressed 1.5 mm work top in Stainless steel.
- Model has right-angled side edges to allow flush fitting joints between units, eliminating gaps and possible dirt traps.

Optional Accessories

- Junction sealing kit PNC 206086
- Support for bridge type installation, 1200mm PNC 206139
- Support for bridge type installation, 1400mm PNC 206140
- Support for bridge type installation, 1600mm PNC 206141
- Water column with swivel arm (water column extension not included) PNC 206289
- Water column extension for 700 line PNC 206291
- Chimney upstand, 200mm PNC 206302
- Chimney upstand, 800mm PNC 206304
- Right and left side handrails PNC 206307
- Back handrail 800 mm PNC 206308
- Chimney grid net, 400mm (700XP/900) PNC 206400
- Frontal handrail, 1200mm PNC 216049
- Frontal handrail, 1600mm PNC 216050
- 2 side covering panels for top appliances PNC 216277
- Deflector for floured products for 15lt fryers PNC 921696

APPROVAL: _____





Electric

Supply voltage:

371019 (E7ECELR00)

380-400 V/3 ph/50/60 Hz

Total Watts:

15.6 kW

Predisposed for:

Key Information:

Front Plates Power: 2.6 - 2.6 kW

Back Plates Power: 2.6 - 2.6 kW

Front Plates dimensions: Ø 230 Ø 230

Back Plates dimensions: Ø 230 Ø 230

External dimensions, Width: 1200 mm

External dimensions, Depth: 730 mm

External dimensions, Height: 250 mm

Net weight: 60 kg

Shipping weight: 56 kg

Shipping height: 540 mm

Shipping width: 830 mm

Shipping depth: 1300 mm

Shipping volume: 0.58 m³

If appliance is set up or next to or against temperature sensitive furniture or similar, a safety gap of approximately 150 mm should be maintained or some form of heat insulation fitted.

Certification group:

EH76T